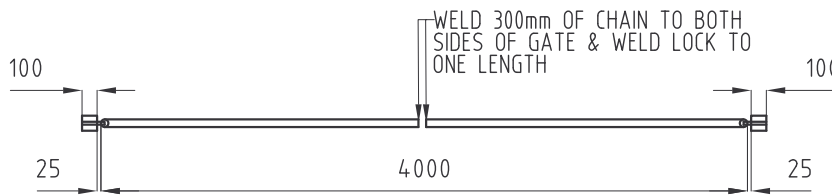
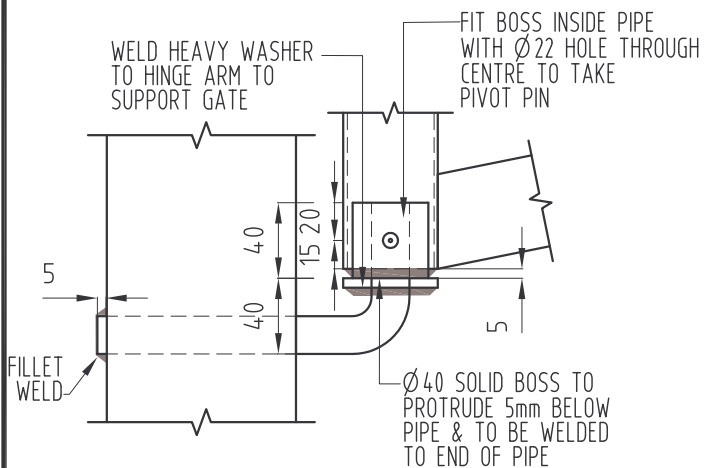


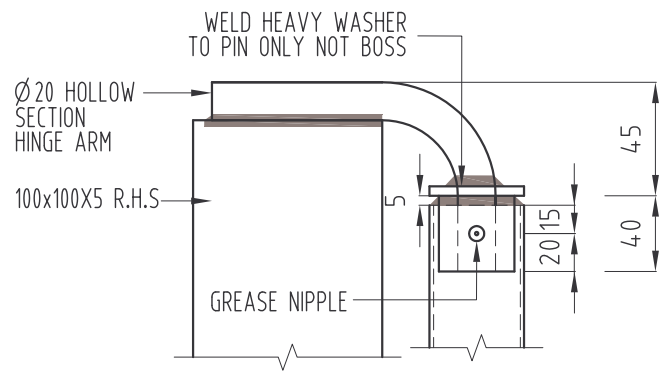
**ELEVATION**  
SCALE 1:50



**PLAN**  
SCALE 1:50



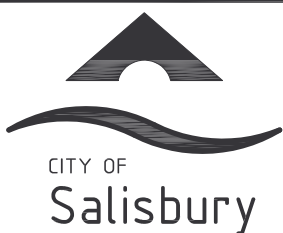
**HINGE DETAIL- BOTTOM**  
SCALE 1:4



**HINGE DETAIL-TOP**  
SCALE 1:4

**NOTES**

1. DIMENSIONS OF GATE SHALL BE MODIFIED TO SUIT A REQUIRED LOCATION.
2. PAINT ALL EXPOSED STEEL PARTS WITH A SINGLE COAT OF ZINC RICH PRIMER AND A SINGLE COAT OF WHITE GLOSS ENAMEL.
3. ALL DIMENSIONS IN MILLIMETRES.



**STANDARD DETAIL**

ACCESS GATE  
DOUBLE ACCESS GATE

PLAN No.

**SD-54**

APPROVED... C.HASKAS .....  
Manager Civil Design

DATE 4/7/07 .....

DRAWN/DESIGNED  
**N.SCOTT**

CHECKED  
**A.S. TAYLOR**

CAD FILE NAME  
**SD-54.dwg**

SHEET SIZE  
**A4**

REVISION  
**0**