

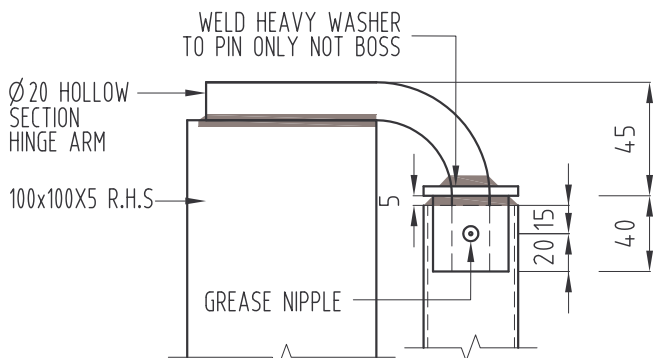
ELEVATION

SCALE 1:50



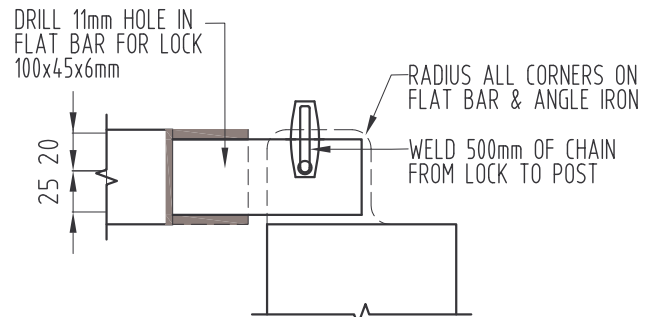
PLAN

SCALE 1:50



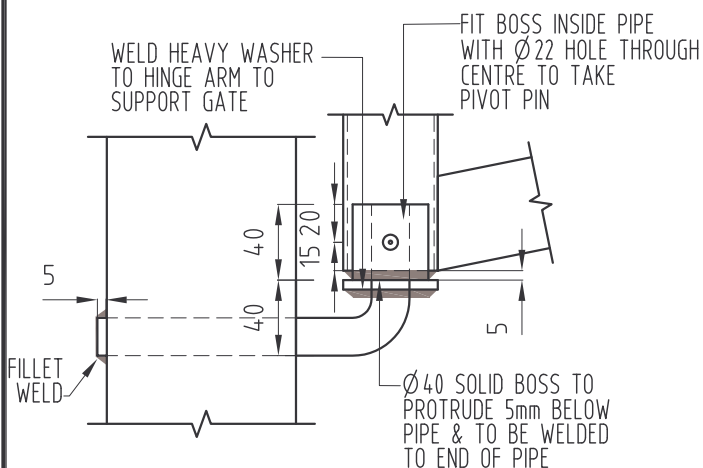
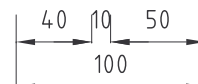
HINGE DETAIL-TOP

SCALE 1:4



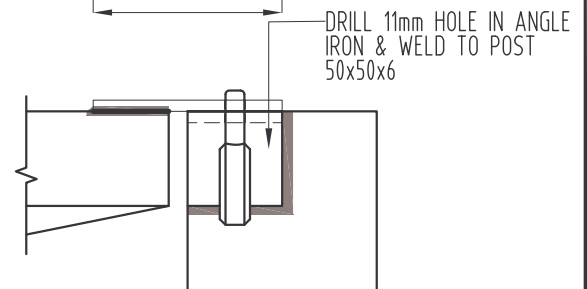
A-PLAN

SCALE 1:4



HINGE DETAIL- BOTTOM

SCALE 1:4

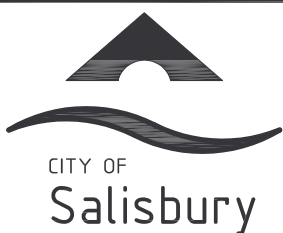


A-ELEVATION

SCALE 1:4

NOTES

1. DIMENSIONS OF GATE SHALL BE MODIFIED TO SUIT A REQUIRED LOCATION.
2. PAINT ALL EXPOSED STEEL PARTS WITH A SINGLE COAT OF ZINC RICH PRIMER AND A SINGLE COAT OF WHITE GLOSS ENAMEL.
3. ALL DIMENSIONS IN MILLIMETRES.



STANDARD DETAIL

ACCESS GATE
SINGLE HALF ACCESS GATE

PLAN No.

SD-52

APPROVED... **C.HASKAS**
Manager Civil Design

DATE **4/7/07**

DRAWN/DESIGNED

N.SCOTT

CHECKED

A.S. TAYLOR

CAD FILE NAME

SD-52.dwg

SHEET SIZE

A4

REVISION

0