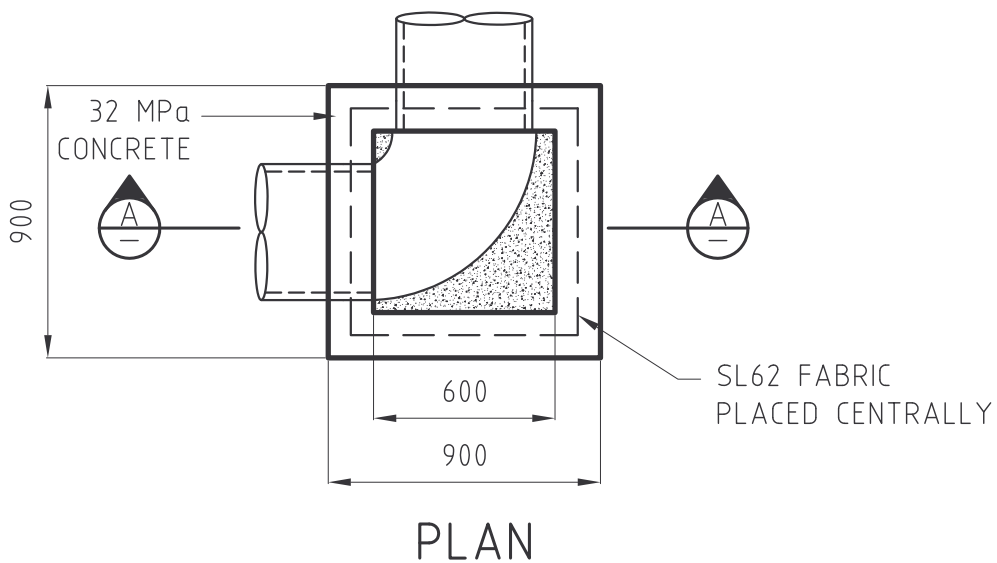
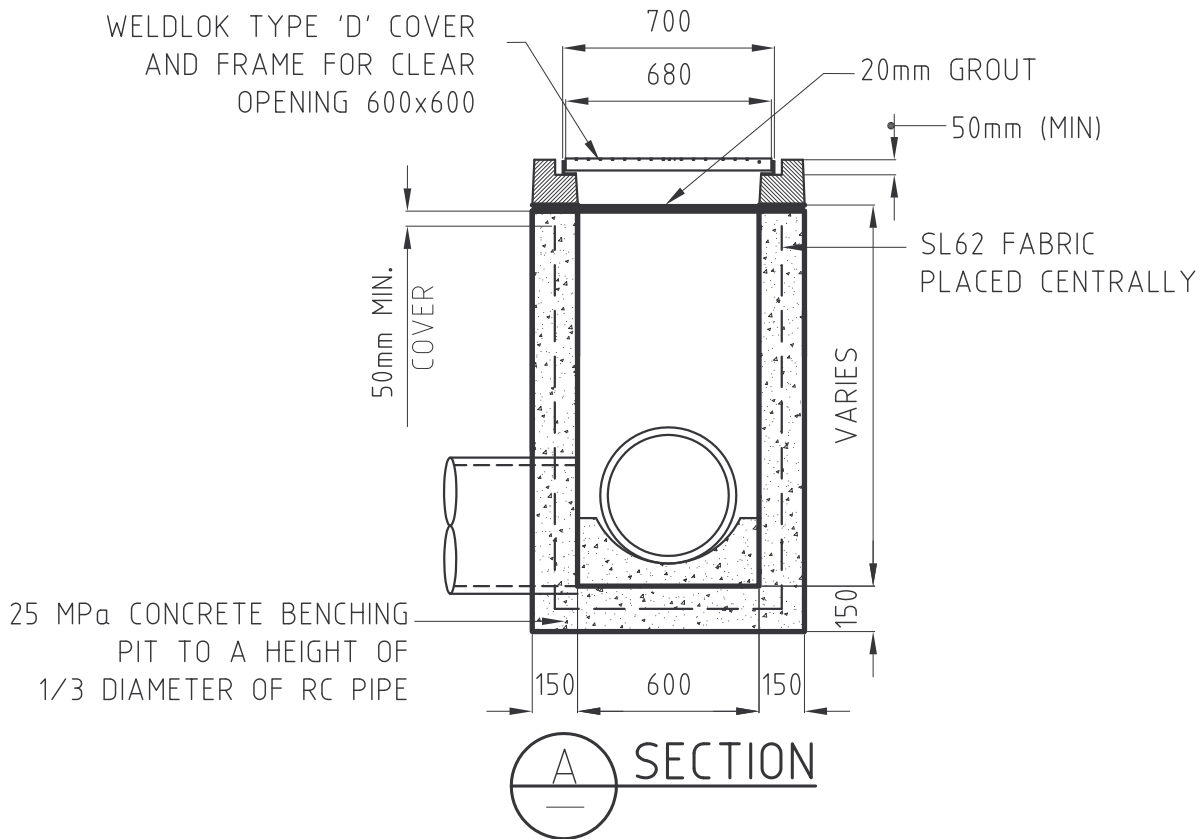
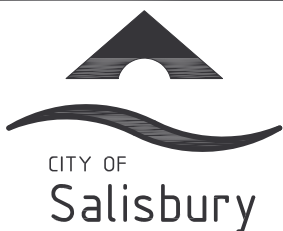


WELDLOK TYPE 'D' COVER  
AND FRAME FOR CLEAR  
OPENING 600x600



NOTES:-

1. ALL CONSTRUCTION IN ACCORDANCE WITH COUNCIL'S "TECHNICAL SPECIFICATION FOR CONCRETE WORK".
2. ALL CONCRETE TO 32 MP<sub>a</sub>. WITH SL62 FABRIC PLACED CENTRALLY.
3. GRATE TO BE HINGED AND ABLE TO PIVOT PAST 8° PAST VERTICAL TO COMPLY WITH AS3996-2006.



# STANDARD DETAIL

JUNCTION BOX/GRATED INLET PIT  
600x600 (WITH BENCHING)

PLAN No.

## SD-27

APPROVED.....C.HASKAS.....  
Manager Civil Design

DATE.....11/4/07.....

DRAWN/DESIGNED

N.SCOTT

CHECKED

A.S. TAYLOR

CAD FILE NAME

SD-27.dwg

SHEET SIZE

A4

REVISION

0