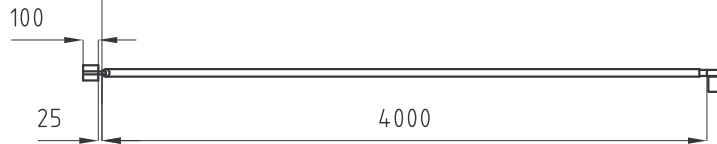
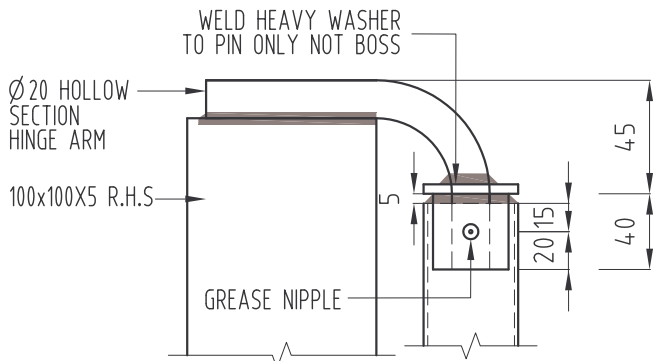


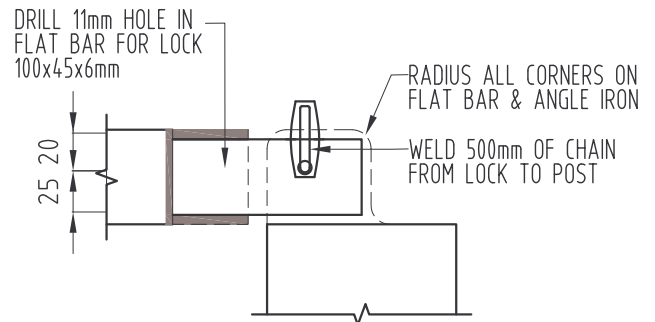
ELEVATION
SCALE 1:50



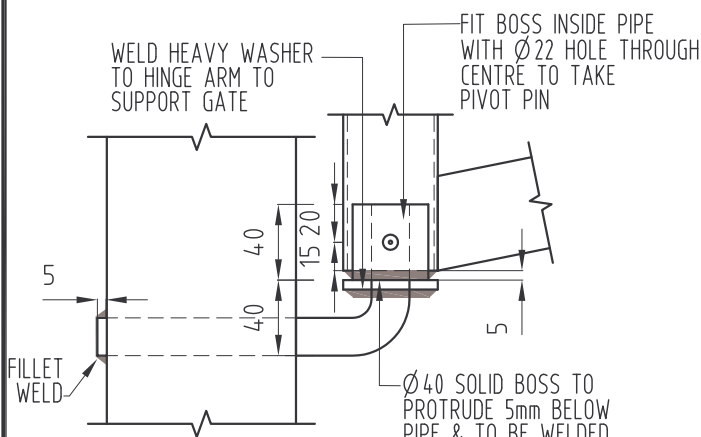
PLAN
SCALE 1:50



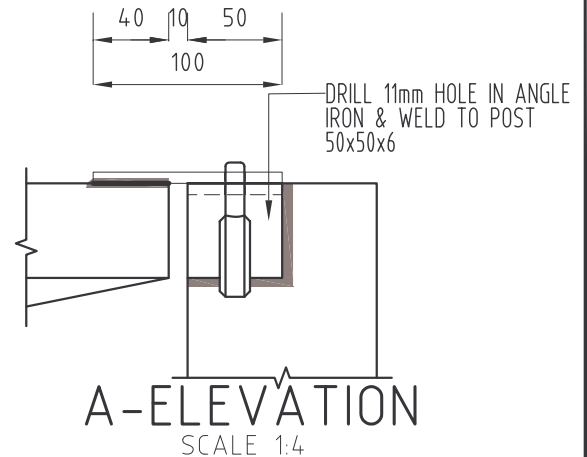
HINGE DETAIL-TOP
SCALE 1:4



A-PLAN
SCALE 1:4



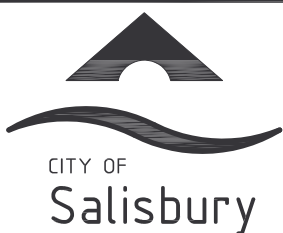
HINGE DETAIL- BOTTOM
SCALE 1:4



A-ELEVATION
SCALE 1:4

NOTES

1. DIMENSIONS OF GATE SHALL BE MODIFIED TO SUIT A REQUIRED LOCATION.
2. PAINT ALL EXPOSED STEEL PARTS WITH A SINGLE COAT OF ZINC RICH PRIMER AND A SINGLE COAT OF WHITE GLOSS ENAMEL.
3. ALL DIMENSIONS IN MILLIMETRES.



STANDARD DETAIL

ACCESS GATE
SINGLE ACCESS GATE

PLAN No.

SD-53

APPROVED... **C.HASKAS**
Manager Civil Design

DATE **4/7/07**

DRAWN/DESIGNED
N.SCOTT

CHECKED
A.S. TAYLOR

CAD FILE NAME
SD-53.dwg

SHEET SIZE
A4

REVISION
0