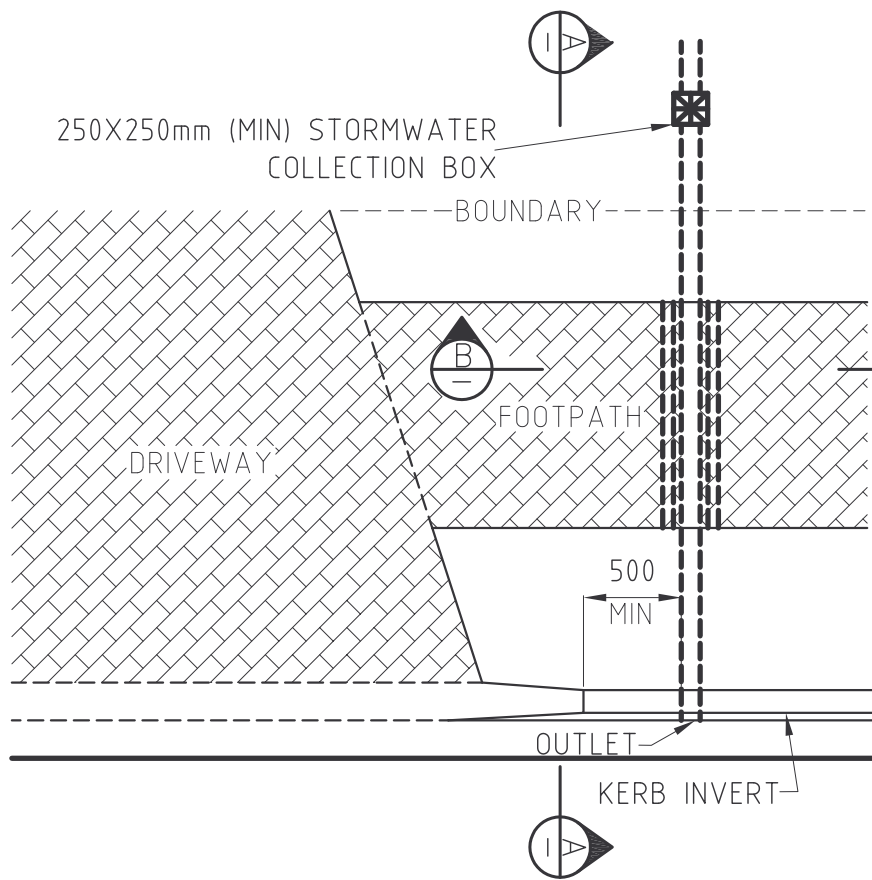
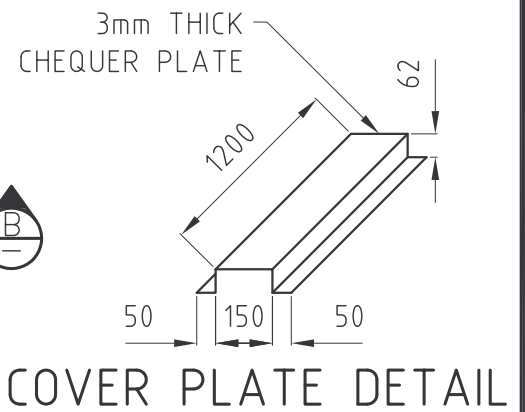


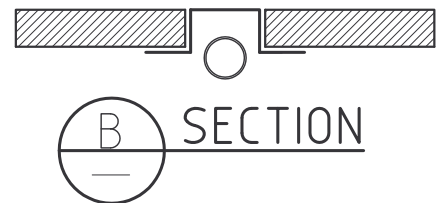
SECTION A



PLAN




COVER PLATE DETAIL



SECTION B

NOTES:-

1. WHERE APPROPRIATE A GALV. STEEL BOX WITH FLOOR PLATE TOP SHALL BE INSTALLED FLUSH WITH THE FOOTPATH & TOP OF KERB.
2. CONCRETE KERB TO BE SAW CUT AND REMORTARED AT STORMWATER OUTLET.
3. MINIMUM WIDTH BETWEEN STORMWATER OUTLETS IS 3.0m.
4. THE MAXIMUM ALLOWABLE DISCHARGE FROM ANY SINGLE OUTLET SHALL BE NO GREATER THAN 20 LITRES/SEC, WITH A MAXIMUM VELOCITY OF 2M/SEC.

	<h1>STANDARD DETAIL</h1> <p>COMPLYING STORMWATER DISPOSAL RESIDENTIAL PROPERTY TO STREET WATER TABLE</p>	PLAN No. <h2>SD-42</h2>		
		APPROVED..... <u>C.HASKAS</u> Manager Civil Design DATE... <u>11/4/07</u> ...		
DRAWN/DESIGNED N.SCOTT	CHECKED A.S. TAYLOR	CAD FILE NAME SD-42.dwg	SHEET SIZE A4	REVISION 0