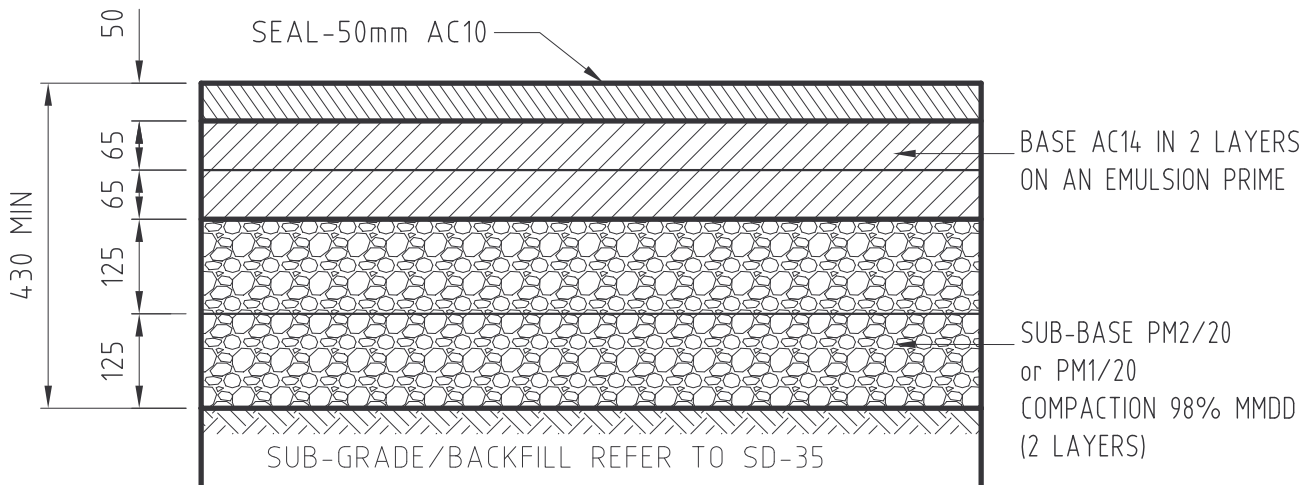


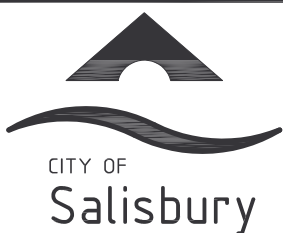
RESIDENTIAL STREET- LESS THAN 2000 VPD



COLLECTOR ROAD - GREATER THAN 2000 VPD

NOTES:-

1. EXCAVATED MATERIAL SHALL NOT BE REUSED IN THE REINSTATEMENT OF THE TRENCHES AND SHALL BE REMOVED FROM SITE.
2. THE CONTRACTOR SHALL PROVIDE ALL REGULATORY SIGNS AND WARNING DEVICES FOR THE PROTECTION OF THE PUBLIC IN ACCORDANCE WITH ROAD AND TRAFFIC ACT AND OCCUPATIONAL HEALTH AND SAFETY ACT.
3. THE WEARING COURSE SHALL EXTEND 100mm EITHER SIDE OF THE EXCAVATED TRENCH AND THE OUTER EDGE SHALL BE SAW CUT.



STANDARD DETAIL

ROAD PAVEMENT REINSTATEMENT
OF TRENCHES

PLAN No.

SD-39

APPROVED.....**C.HASKAS**.....
Manager Civil Design

DATE.....**11/4/07**.....

DRAWN/DESIGNED

N.SCOTT

CHECKED

A.S. TAYLOR

CAD FILE NAME

SD-39.dwg

SHEET SIZE

A4

REVISION

0