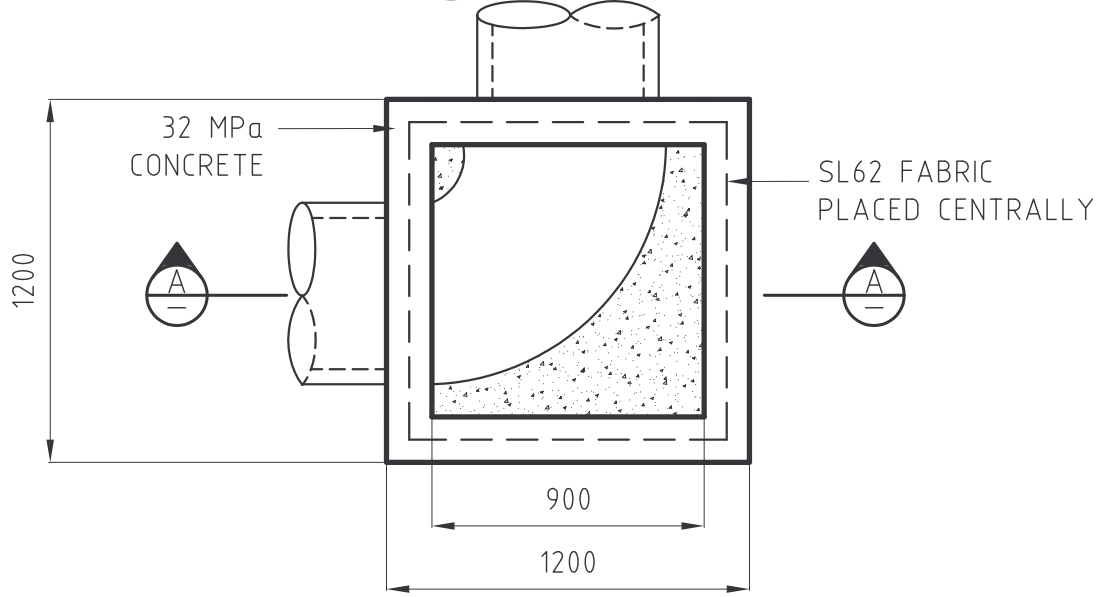



SECTION



PLAN

NOTES:-

1. ALL CONSTRUCTION IN ACCORDANCE WITH COUNCIL'S "TECHNICAL SPECIFICATION FOR CONCRETE WORK".
2. ALL CONCRETE TO 32 MPa. WITH SL62 FABRIC PLACED CENTRALLY.
3. GRATE TO BE HINGED AND ABLE TO PIVOT 8° PAST VERTICAL TO COMPLY WITH AS3996-2006.

	<h1>STANDARD DETAIL</h1> <p>JUNCTION BOX/GRATED INLET PIT 900X900 (WITH BENCHING)</p>	PLAN No. <h2>SD-28</h2>		
		APPROVED..... <u>C.HASKAS</u> Manager Civil Design DATE..... <u>11/4/07</u>		
DRAWN/DESIGNED N.SCOTT	CHECKED A.S. TAYLOR	CAD FILE NAME SD-28.dwg	SHEET SIZE A4	REVISION 0