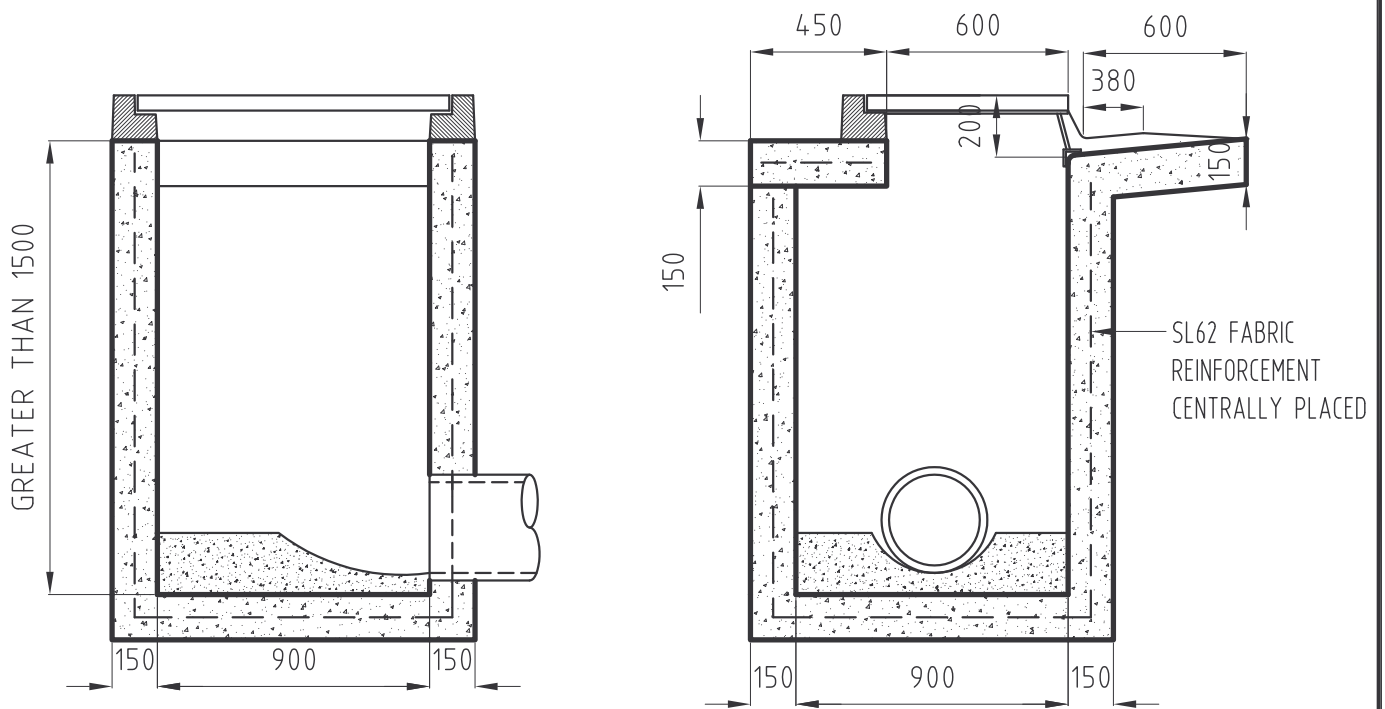
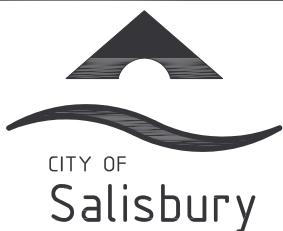


1800mm OPENING S.E.P



STANDARD S.E.P FOR DEPTH GREATER THAN 1.5m



# STANDARD DETAIL

SIDE ENTRY PIT DETAILS  
WITH BENCHING

PLAN No.

**SD-23**

APPROVED.....C.HASKAS.....  
Manager Civil Design

DATE.....11/4/07.....

DRAWN/DESIGNED

N.SCOTT

CHECKED

A.S. TAYLOR

CAD FILE NAME

SD-23.dwg

SHEET SIZE

A4

REVISION

0