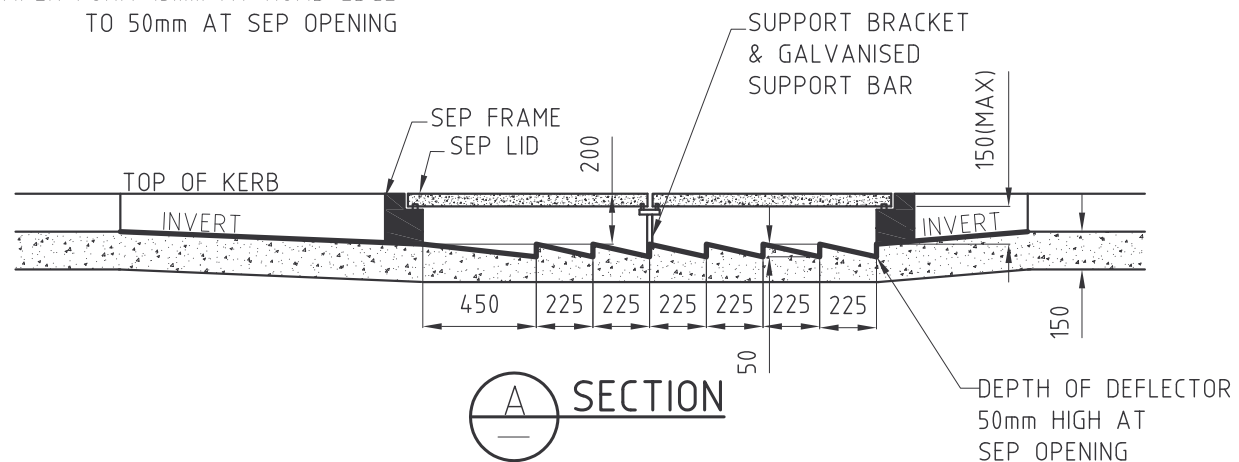


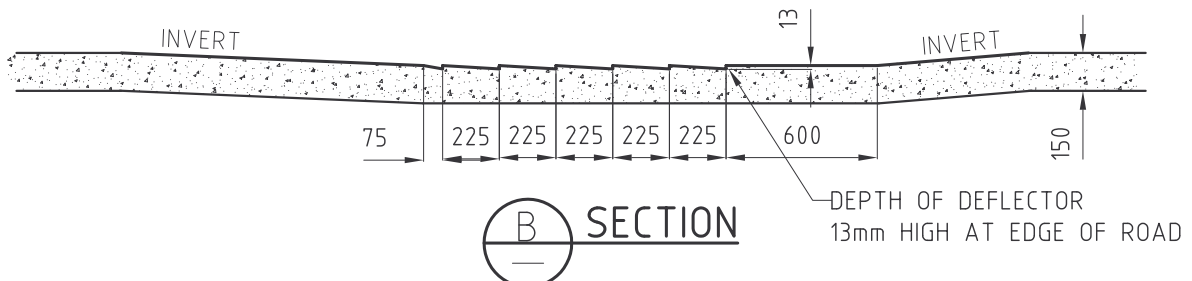
PLAN (OR 1200 IF FLOW FROM THIS DIRECTION ALSO)

DEPTH OF DEFLECTORS TAPER FROM 13mm AT ROAD EDGE TO 50mm AT SEP OPENING



A SECTION


DEPTH OF DEFLECTOR 50mm HIGH AT SEP OPENING



B SECTION

DEPTH OF DEFLECTOR 13mm HIGH AT EDGE OF ROAD

- NOTE:-
1. ACCESS COVERS TO BE CLASS E IN ACCORDANCE WITH AS 3996-1992.
 2. ALL KERBING CONCRETE TO CONTAIN BLACK OXIDE UP TO THE RATE OF 10Kgs/Cu.m., TO MATCH EXISTING
 3. ALL CONSTRUCTION TO BE IN ACCORDANCE WITH COUNCIL'S "TECHNICAL SPECIFICATION FOR CONCRETE WORK".

 <p>CITY OF Salisbury</p>	<p>STANDARD DETAIL</p> <p>DOUBLE SIDE ENTRY PIT WITH DEFLECTORS</p>		PLAN No. SD-21	
			<p>APPROVED.....C.HASKAS..... Manager Civil Design</p> <p>DATE.....11/4/07.....</p>	
DRAWN/DESIGNED N.SCOTT	CHECKED A.S. TAYLOR	CAD FILE NAME SD-21.dwg	SHEET SIZE A4	REVISION 0