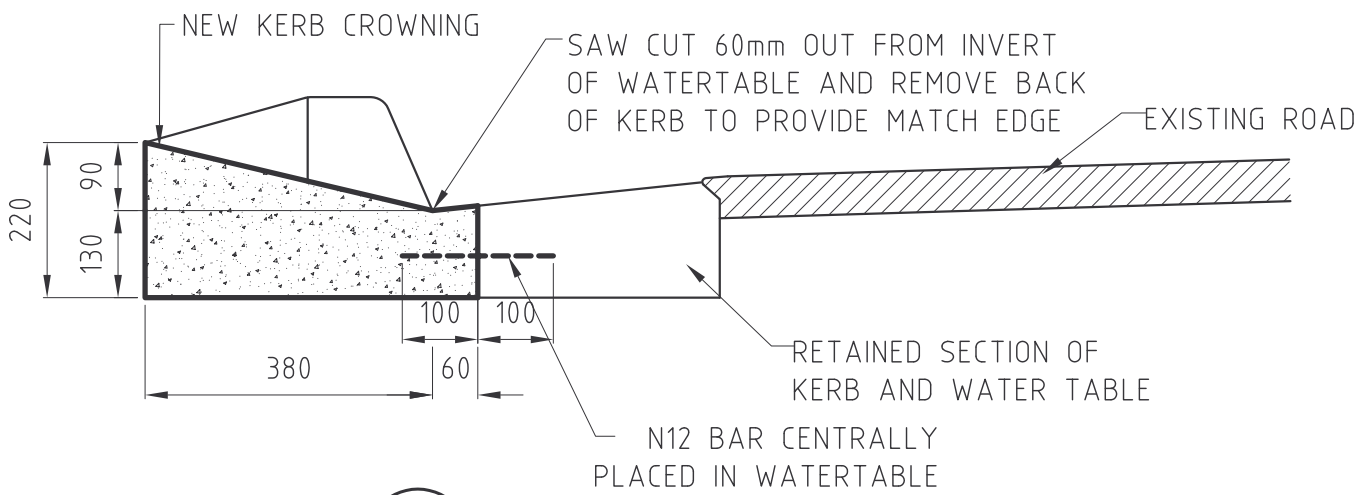



PLAN  
SCALE 1:20



A SECTION  
SCALE 1:10

- NOTE:
1. ALL KERBING CONCRETE TO CONTAIN BLACK OXIDE UP TO THE RATE OF 10Kgs./Cu.m., TO MATCH EXISTING.
  2. ALL CONSTRUCTION TO BE IN ACCORDANCE WITH COUNCIL'S "TECHNICAL SPECIFICATION FOR CONCRETE WORK".
  3. FILL DOWEL HOLES WITH AN APPROVED EPOXY SEALANT.

 <p>CITY OF <b>Salisbury</b></p>	<h1>STANDARD DETAIL</h1> <p>NEW KERB CROWNING IN EXISTING KERB &amp; WATERTABLE</p>		PLAN No. <h2>SD-18</h2>	
			APPROVED..... <u>C.HASKAS</u> ..... Manager Civil Design DATE..... <u>11/4/07</u> .....	
DRAWN/DESIGNED <b>N.SCOTT</b>	CHECKED <b>A.S. TAYLOR</b>	CAD FILE NAME <b>SD-18.dwg</b>	SHEET SIZE <b>A4</b>	REVISION <b>0</b>