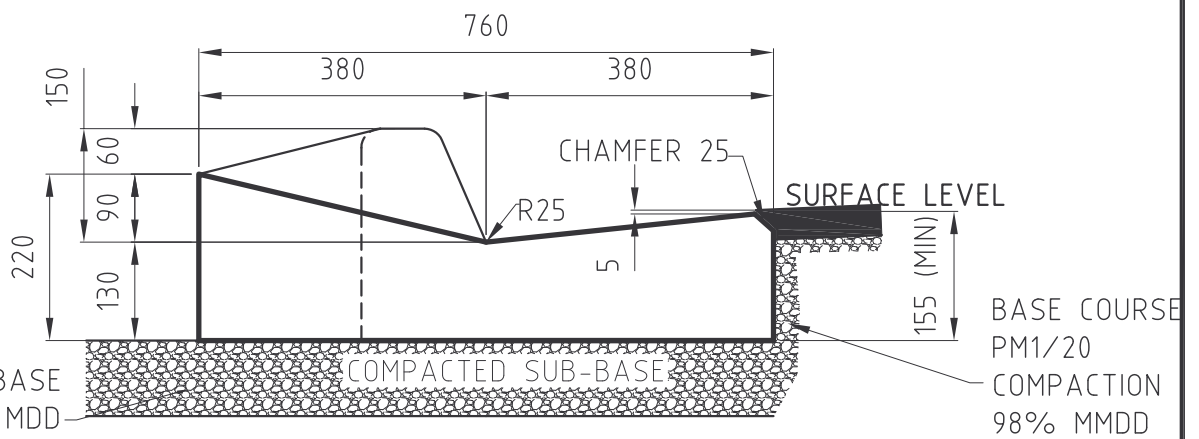



VEHICLE CROSSOVER
SCALE 1:50



A SECTION KERB CROSSING DETAIL
SCALE 1:10

NOTES:-

1. ALL CONSTRUCTION IN ACCORDANCE WITH COUNCIL'S "TECHNICAL SPECIFICATION FOR CONCRETE WORK".

 <p>CITY OF Salisbury</p>	<p>STANDARD DETAIL</p> <p>RESIDENTIAL DRIVEWAY VEHICLE & KERB CROSSING FOR 150mm FALL-IN KERB</p>		<p>PLAN No. SD-12</p>	
			<p>APPROVED.....C.HASKAS..... Manager Civil Design</p> <p>DATE.....11/4/07.....</p>	
<p>DRAWN/DESIGNED N.SCOTT</p>	<p>CHECKED A.S. TAYLOR</p>	<p>CAD FILE NAME SD-12.dwg</p>	<p>SHEET SIZE A4</p>	<p>REVISION 0</p>