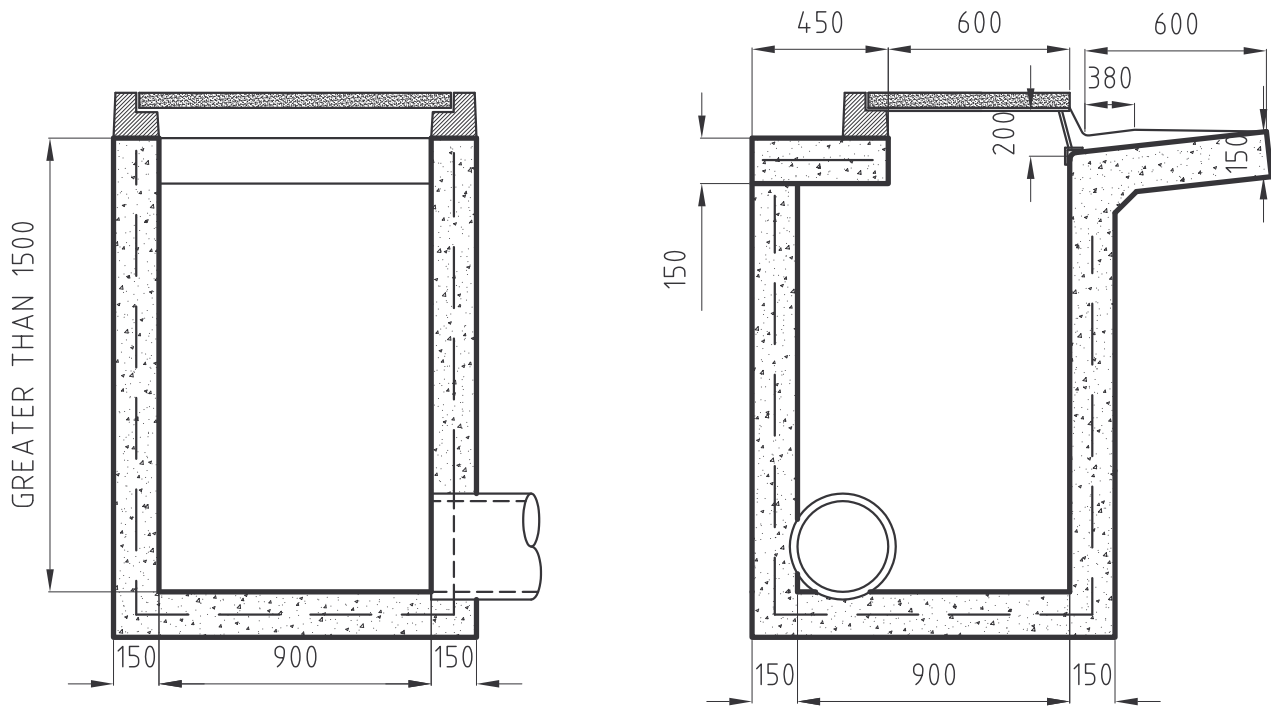
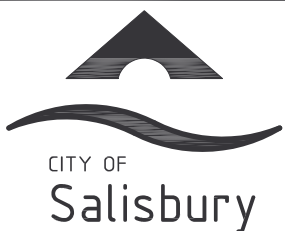


1800mm OPENING S.E.P



STANDARD S.E.P FOR DEPTH GREATER THAN 1.5m



STANDARD DETAIL

SIDE ENTRY PIT DETAILS
WITHOUT BENCHING

PLAN No.

SD-22

APPROVED.....C.HASKAS.....
Manager Civil Design

DATE.....11/4/07.....

DRAWN/DESIGNED

N.SCOTT

CHECKED

A.S. TAYLOR

CAD FILE NAME

SD-22.dwg

SHEET SIZE

A4

REVISION

0